



# Volume and Surface Area of Prisms



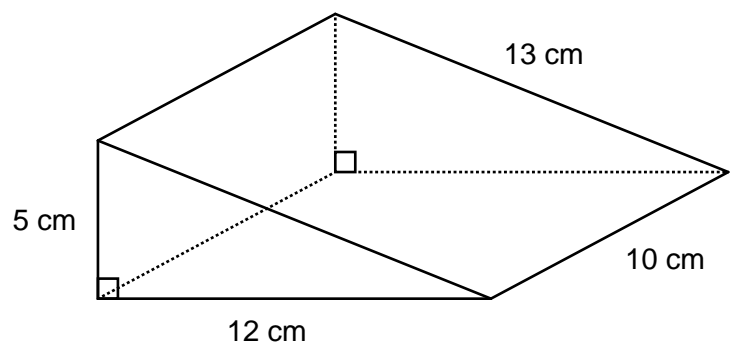
SCAN ME

REVISE THIS TOPIC

CHECK YOUR ANSWERS

SCAN ME

1 The cross section of a prism is a right-angled triangle.



Not drawn accurately

1 (a) Work out the volume of the prism. [3 marks]

---



---



---



---

Answer \_\_\_\_\_ cm<sup>3</sup>

1 (b) Work out the surface area of the prism. [4 marks]

---



---



---



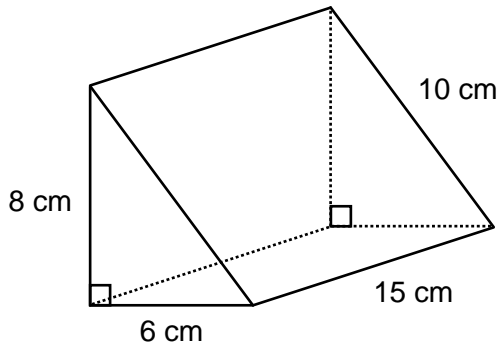
---

Answer \_\_\_\_\_ cm<sup>2</sup>





2 The cross section of a prism is a right-angled triangle.



Not drawn accurately

2 (a) Work out the volume of the prism. [3 marks]

---

---

---

---

Answer \_\_\_\_\_  $\text{cm}^3$

2 (b) Work out the surface area of the prism. [4 marks]

---

---

---

---

---

---

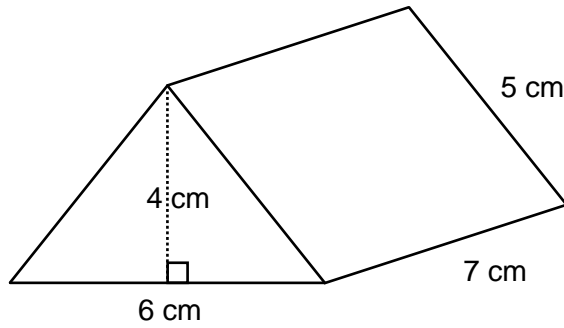
Answer \_\_\_\_\_  $\text{cm}^2$





3 The cross section of a prism is an isosceles triangle.

Not drawn accurately



3 (a) Work out the volume of the prism. [3 marks]

---



---



---



---

Answer \_\_\_\_\_  $\text{cm}^3$

3 (b) Work out the surface area of the prism. [4 marks]

---



---



---



---



---

Answer \_\_\_\_\_  $\text{cm}^2$

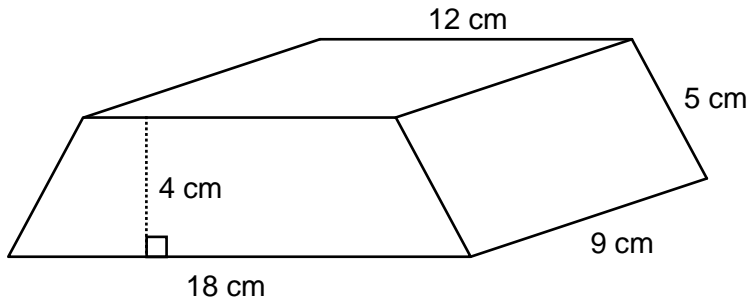
Turn over ►





4 The cross section of a prism is a trapezium.

Not drawn accurately



4 (a) Work out the volume of the prism.

[3 marks]

---

---

---

---

Answer \_\_\_\_\_  $\text{cm}^3$

4 (b) Work out the surface area of the prism.

[4 marks]

---

---

---

---

---

---

---

---

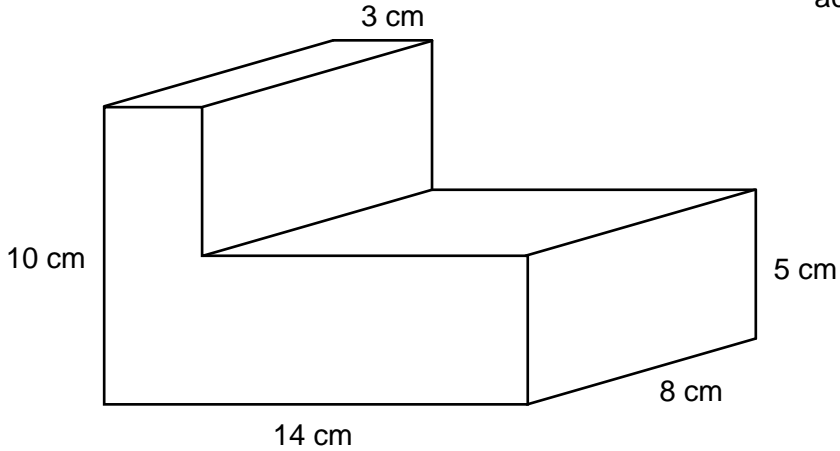
Answer \_\_\_\_\_  $\text{cm}^2$





5 The cross section of a prism is made from two rectangles.

Not drawn accurately



Work out the volume of the prism.

[4 marks]

---

---

---

---

---

---

---

---

---

---

Answer \_\_\_\_\_ cm<sup>3</sup>

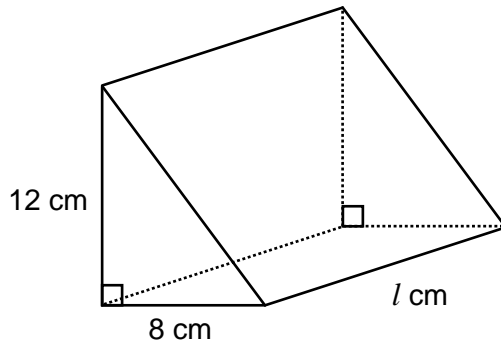


Turn over ►





6 The cross section of a prism is a right-angled triangle.



Not drawn accurately

The volume of the prism =  $696 \text{ cm}^3$

Work out the value of  $l$ , the length of the prism.

[3 marks]

---

---

---

---

---

---

---

---

---

---

$l =$  \_\_\_\_\_ cm





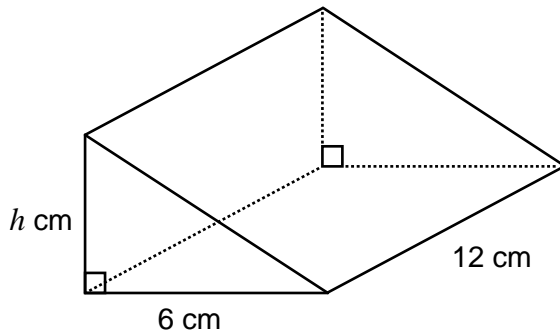
7 Prism A, Prism B and Prism C all have the same volume.

Complete the table.

[4 marks]

	Prism A	Prism B	Prism C
<b>Cross Sectional Area</b>	24 cm <sup>2</sup>		40 cm <sup>2</sup>
<b>Length</b>	15 cm	18 cm	
<b>Volume</b>			

8 The cross section of a prism is a right-angled triangle.



The prism has a volume of 162 cm<sup>3</sup>

Work out the value of  $h$ , the height of the right-angled triangle.

[3 marks]

---



---



---



---



---

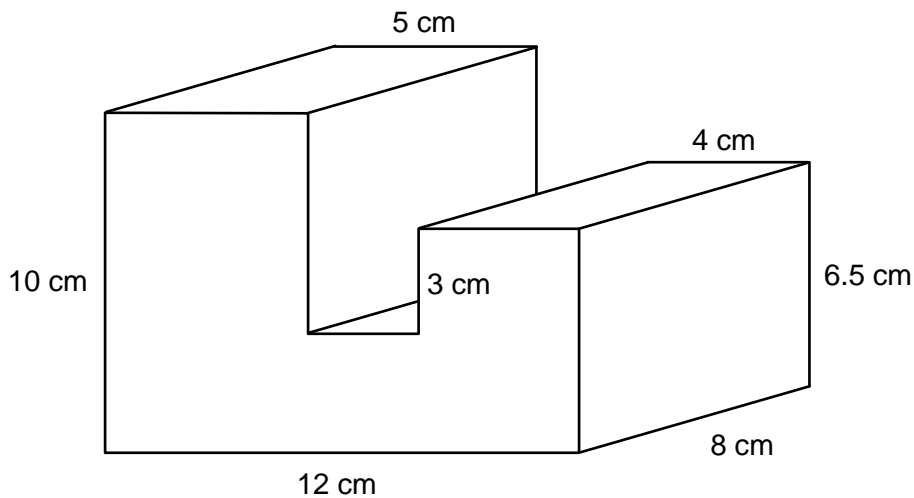
$h =$  \_\_\_\_\_ cm

Turn over ►





9 The cross section of a prism is made from three rectangles.



Work out the volume of the prism.

[5 marks]

---

---

---

---

---

---

---

---

---

---

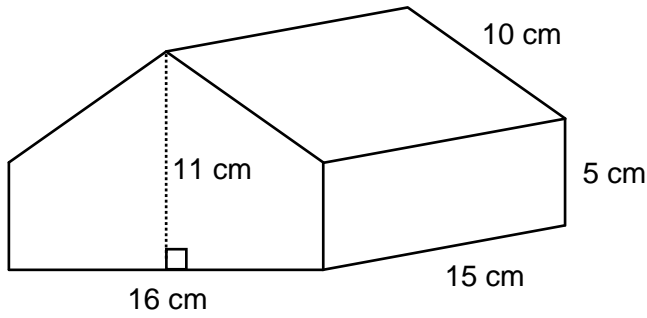
Answer \_\_\_\_\_ cm<sup>3</sup>







10 The cross section of a prism is a pentagon with one line of symmetry.



Not drawn accurately

10 (a) Work out the volume of the prism. [4 marks]

---

---

---

---

---

---

---

---

Answer \_\_\_\_\_  $\text{cm}^3$

10 (b) Work out the surface area of the prism. [4 marks]

---

---

---

---

---

---

---

---

Answer \_\_\_\_\_  $\text{cm}^2$

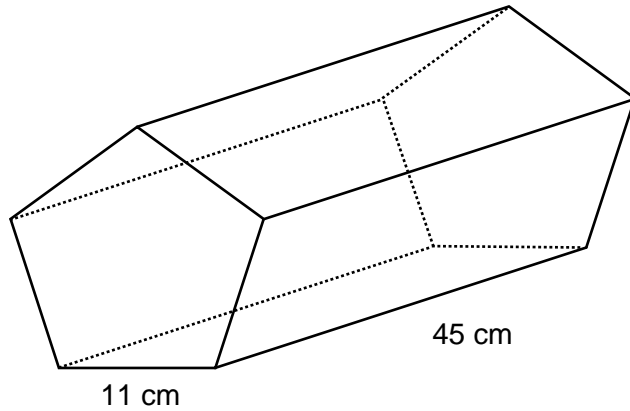
Turn over ►





11 The cross section of a prism is a regular pentagon.

Not drawn accurately



The volume of the prism =  $9368 \text{ cm}^3$

Work out the total surface area of the prism.  
Give your answer to 4 significant figures.

[4 marks]

---

---

---

---

---

---

---

---

---

---

---

---

---

---

---

---

---

---

---

---

---

---

---

---

Answer \_\_\_\_\_  $\text{cm}^2$

$\frac{\quad}{4}$

