



Compound Shapes



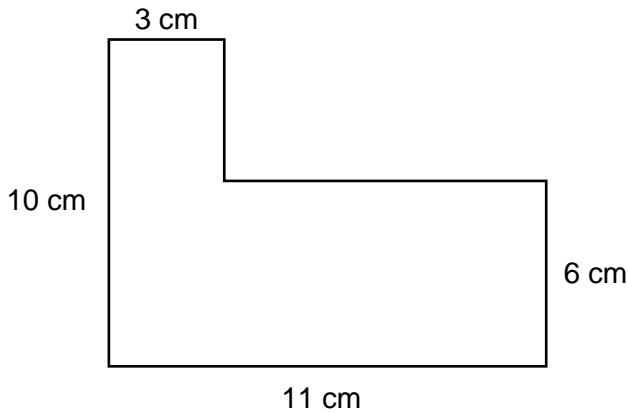
SCAN ME

REVISE THIS TOPIC

CHECK YOUR ANSWERS

SCAN ME

1 Here is a shape made from rectangles.



1 (a) Work out the perimeter of the shape [2 marks]

Answer _____ cm

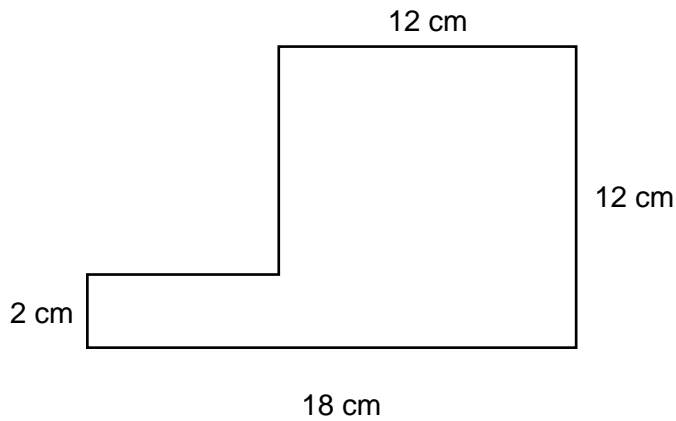
1 (b) Work out the area of the shape [3 marks]

Answer _____ cm²





2 Here is a shape made from rectangles.



Not drawn accurately

2 (a) Work out the perimeter of the shape [2 marks]

Answer _____ cm

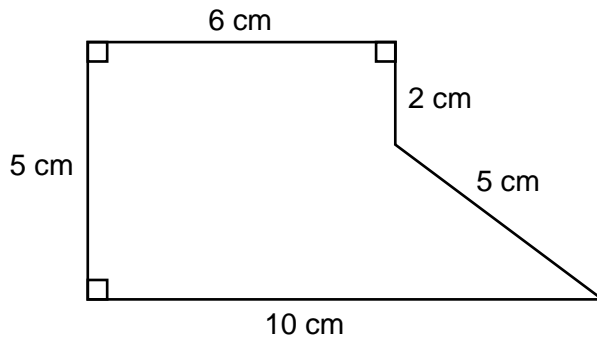
2 (b) Work out the area of the shape [3 marks]

Answer _____ cm²





3 Here is a pentagon.



Not drawn accurately

3 (a) Work out the perimeter of the pentagon. [2 marks]

Answer _____ cm

3 (b) Work out the area of the pentagon. [3 marks]

Answer _____ cm²

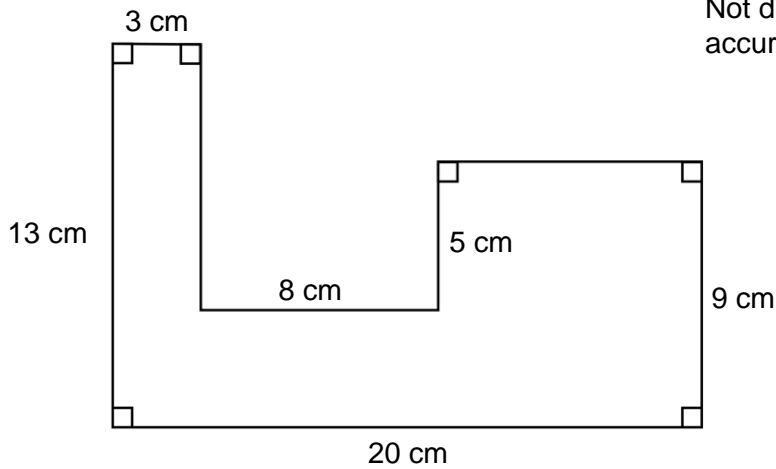


Turn over ►





4 Here is a shape made from rectangles.



4 (a) Work out the perimeter of the shape. [3 marks]

Answer _____ cm

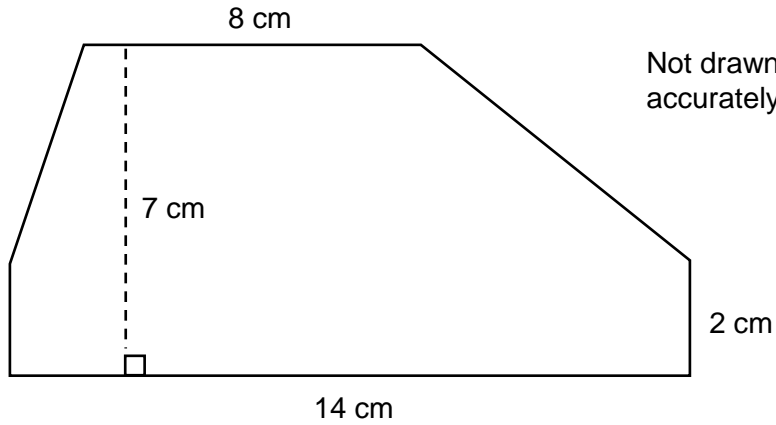
4 (b) Work out the area of the shape. [4 marks]

Answer _____ cm²





5 Here is a shape made from a trapezium and a rectangle.



Work out the area of the shape.

[4 marks]

Answer _____ cm²

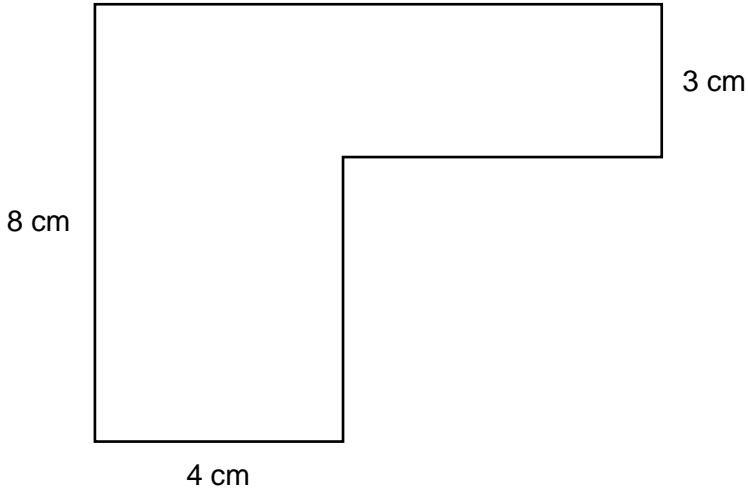


Turn over ►





6 Here is a shape made from rectangles.



Not drawn accurately

The area of the shape is 50 cm^2
Work out the perimeter of the shape.

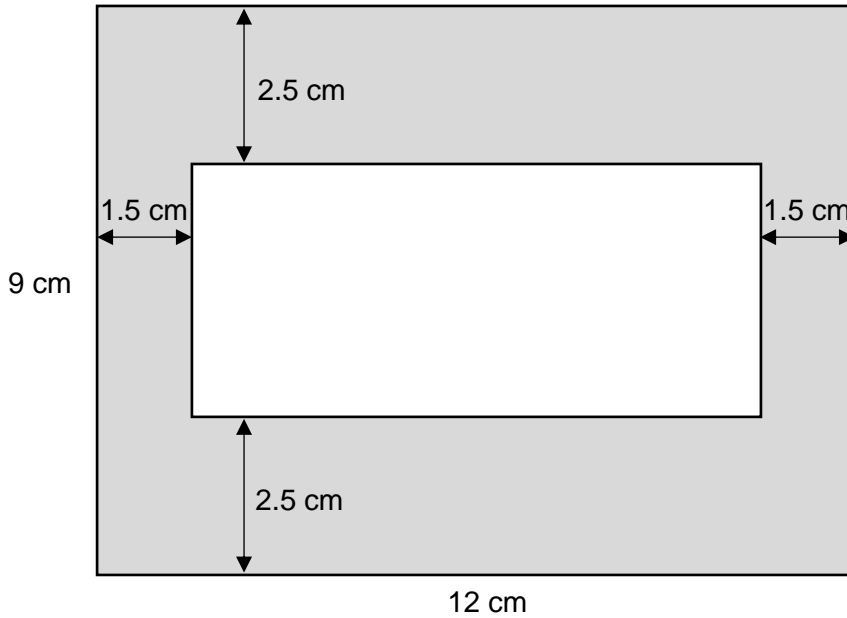
[5 marks]

Answer _____ cm





7 A rectangular hole is cut from a larger rectangle.



Work out the area of shaded region.

[4 marks]

Answer _____ cm²

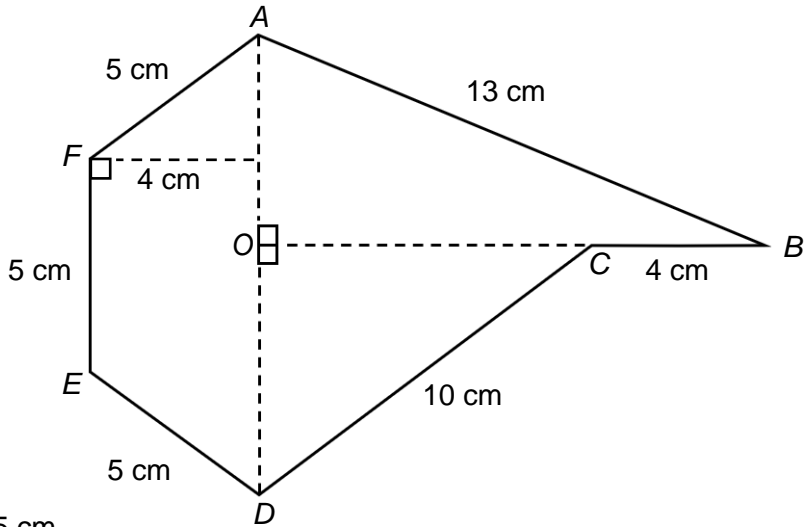
$\frac{\quad}{8}$

Turn over ►





8 *ABCDEF* is a hexagon made from two right angled triangles and a trapezium.



$AO = 5 \text{ cm}$
 $AD = 11 \text{ cm}$
 $OC = 8 \text{ cm}$

8 (a) Work out the perimeter of the hexagon. [2 marks]

Answer _____ cm

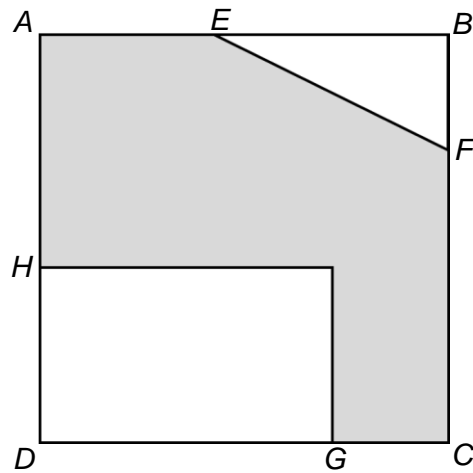
8 (b) Work out the area of the hexagon. [4 marks]

Answer _____ cm^2





9 $ABCD$ is a square.



$GC = 2\text{cm}$ $AE = 3\text{cm}$ $EB = AH = 4\text{cm}$ $FC = 5\text{cm}$

Work out the area of shaded region.

[5 marks]

Answer _____ cm^2

